

20/00962/FUL
13.04.2021

REVISIONS 12/08/2020

CLIENT: Mr J Szkudro

JOB: Linden Causewayend Ancrum

DRAWING: Location Plan

Drawn by	Checked	Approved	DATE	JOB No:	DR No.	REV
			12/08/20	LCA LP 1		A

This drawing and its data are the copyright Lothian Estates and must not be used for any purpose other than that for which it is intended

SCALE: 1:1250M @ A4
Do not scale from this drawing. Dimensions taken on site must be confirmed with Clerk of Works.

I certify this to be a true copy of one of the drawings referred to in my application to Scottish Borders Council

Signed:
Date:

Scottish Borders Council
Town And Country
Planning (Scotland) Act
1997

REFUSED

subject to the requirements of the associated Decision Notice



(index.html)

20/00962/FUL 13.04.2021

uPVC Sash Windows

(upvc_sliding_sash_windows.html)

uPVC Sash Window Technical Information

Home > uPVC Windows > uPVC Windows

(upvc-windows.html)

Scottish Borders Council
Town And Country
Planning (Scotland) Act
1997

Specification

Technical Information

REFUSED

subject to the
requirements of the
associated Decision
Notice

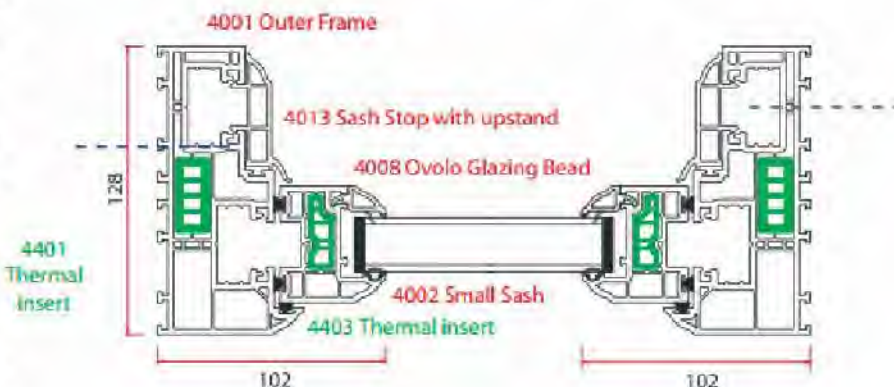
Sash Window Styles (window-
styles-uk.html)

Horizontal section through top sash

Glass Patterns
(glasspatterns)

Technical Info
(technical.htm)

Extras (extras.)



About (about.htm)

Gallery (gallery.ht)

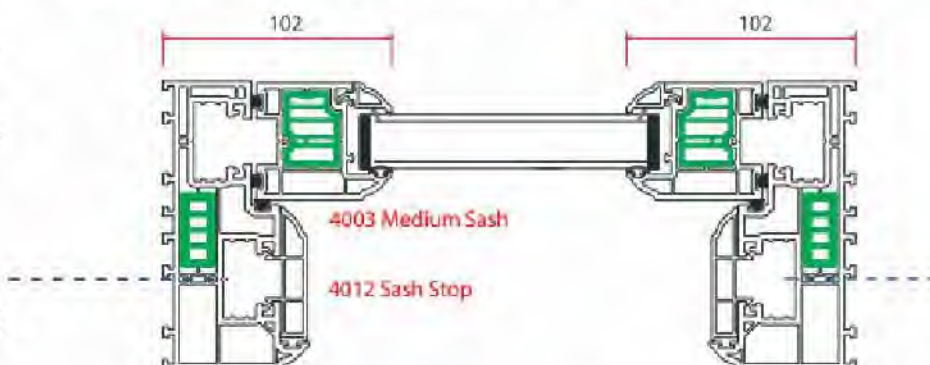
Testimonials (tes)

Horizontal section through bottom sash

Delivery (delivery.)

Offers (offers.htr)

Useful Links



How to Order (

Measuring (me

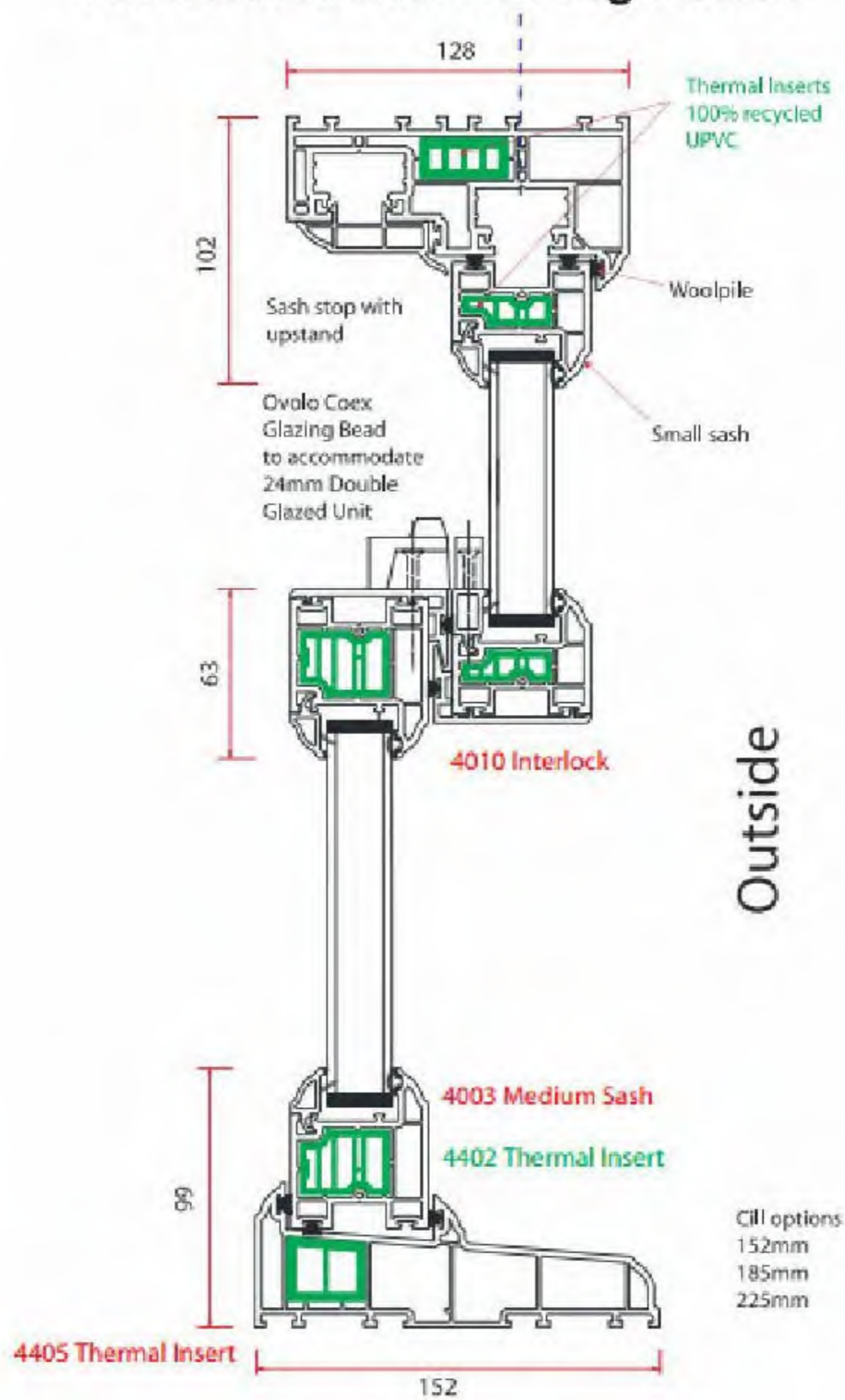
Outside

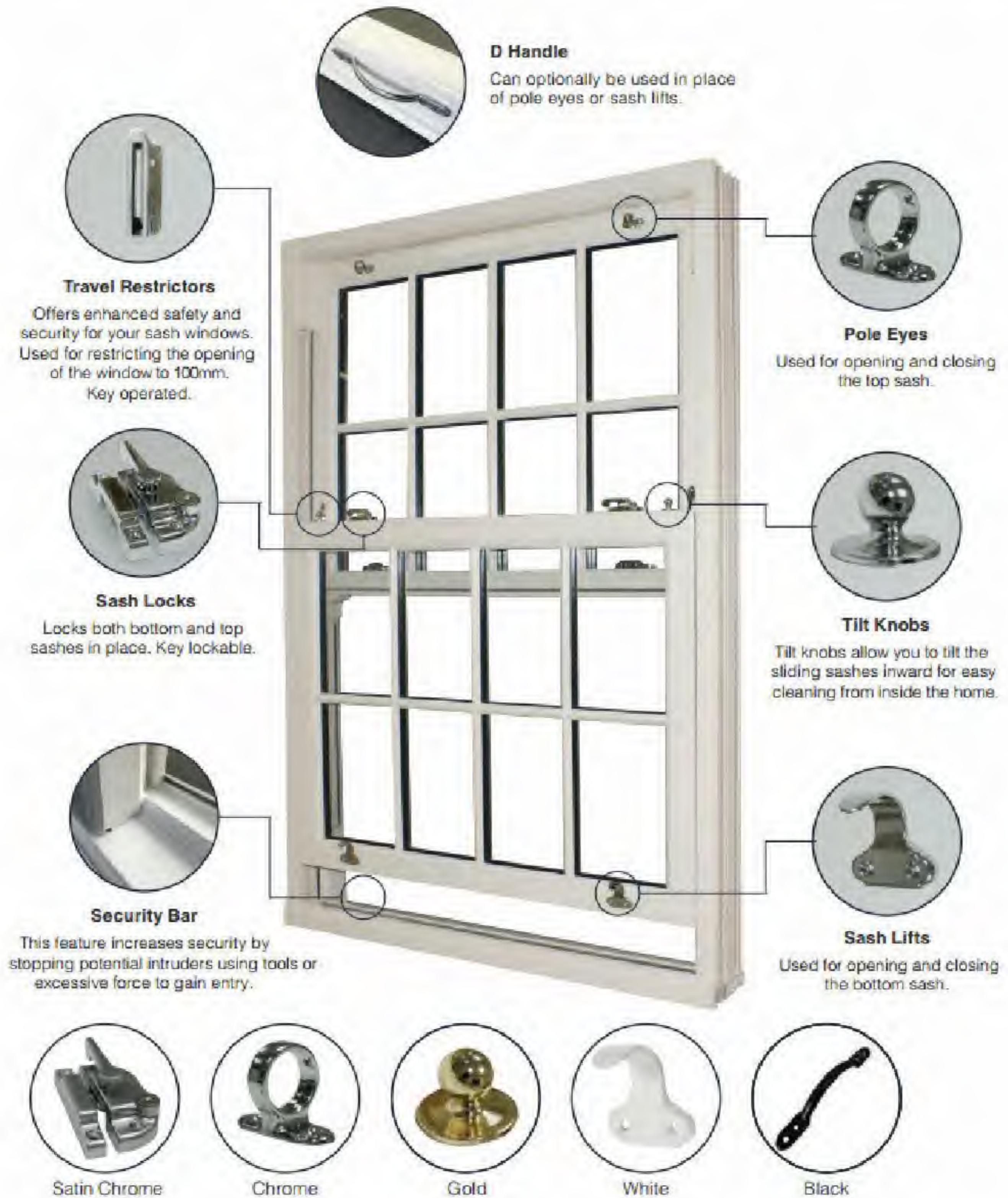
Terms (terms.html)

Guarantee (guarantee.html)

Blog

Vertical section through sash





Frame Specification

These uPVC profiles are manufactured to the highest standards and are capable of:

- Vertical Sliders with traditional appearance from modern materials
- 128mm frame depth

Designed to provide optimum strength, superior thermal properties and excellent weathering performan

they will retain their pristine appearance year after year with minimum of maintenance. Suitable for commercial or domestic buildings, in both replacement and new build markets.

Configuration:- The front to back dimension of the sash is 52mm, outer frame is 128mm and cill (built-in options are 210mm or 150mm. Available in two profile options 'Standard configuration' and the 'Heavy configuration'.

Size limitations:- Maximum recommended size for standard configuration are up to 1600mm wide and 3000mm high. For Heavy duty configuration upto 1700mm wide and upto 3000mm high, using sash VSI with aluminium interlock.

Frame Reinforcing

All outer frames are fully reinforced with aluminium, the sashes are fully reinforced with galvanised steel.

Structural strength is enhanced through the use of steel or aluminium reinforcement through the internal chambers of the profile and to further increase stability and strength all fixings and hardware are secured to the reinforcement. The vertical slider also has an aluminium interlock for the top sash which increases the rigidity of larger windows.

Hardware Fittings

Tilt & Turn

Tilting sashes by the means of a pivot bar, allows the window to tilt so that exterior glass can be cleaned from the inside, and a soft damp cloth is all it takes to maintain the frame. Tilt restrictors ensure the tilt mechanism works smoothly and safely.

Sash horns

A Victorian innovation, they helped shed water from the sash and covered the end grain of the wood preventing water penetration. On our uPVC windows they are purely decorative.

Handles & Locks

White, gold and chrome options available.

Trickle vents

Ventilation vents can be applied in the frame or in the sash, available in capacities of 2000 & 4000 (habitats require capacity of 8000).

Gaskets & Sight Lines

Equal sight line

Fitted as standard, most uPVC windows have unequal sight-lines. This is where the glass in the opening sections appears to be smaller than the glass in the fixed part sections. To duplicate the equal sight line of the traditional sliding sash we have created a special insert which is fitted to the non opening section to

reduce its width to match that of the opening sash. Thus a more aesthetic appearance is obtained.

Low Line gaskets / weather seals

Fitted as standard, gives the window a clean look, as well as improving long term weathering and therm efficiency.



6. Choice of Cills



[DOWNLOAD BROCHURE \(UPVC_SASH_WINDOWS_BROCHURE.PDF\)](#)

Colourfast UPVC Profile - Colourfast UPVC Profile - Our grade 'A' upvc profiles have been rigourously teste a number of years to ensure minimal maintenance to keep your windows in top condition. All double gla products are supplied with a 10 year colourfast guarantee.

Value for Money Double Glazing Adding new upvc windows & doors to your home look great and adds \



Profile Colour Options

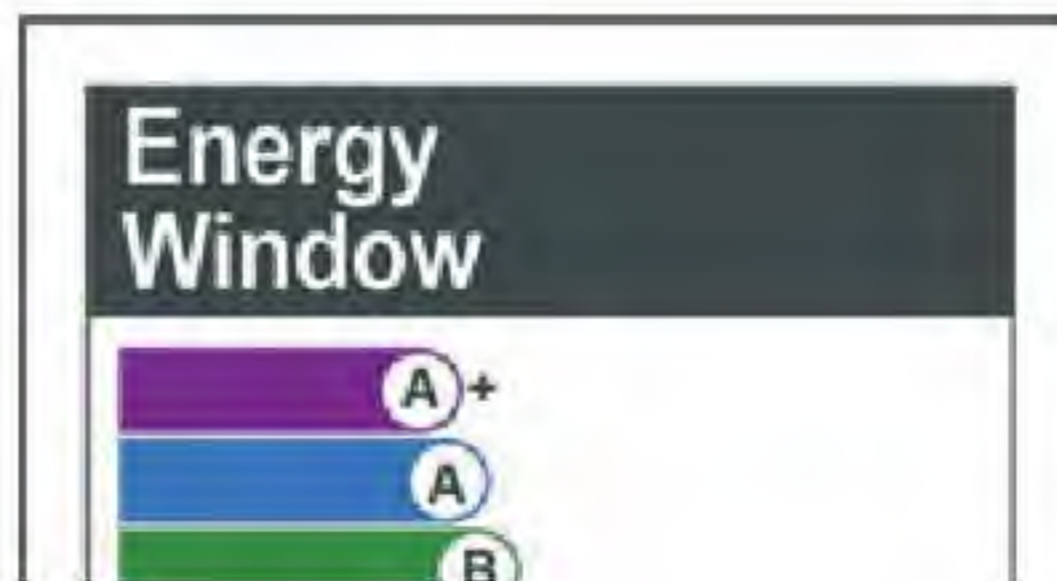


White



Cream

Foil Inside and Outside Options



(./)

Our mission is to change the diy home improvement industry by supplying high quality products at factory direct prices across the whole of our product range.

We were formed as a forward thinking diy home improvement company who source the best products at the best prices possible.



Quick links

- > [uPVC Sash Windows](#) > [About \(about.html \(upvc_sliding_sash_windows.html\)\)](#)
- > [Gallery \(gallery.html\)](#) > [Sash Window Price \(quotes.html\)](#)
- > [Testimonials \(testimonials.html\)](#) > [Offers \(offers.html\)](#)
- > [Delivery \(delivery.html\)](#) > [Sash Window Style \(window-styles-uk.html\)](#)
- > [Blog \(http://www.diy-sashwindowsdirect.co.uk/blog/\)](#) > [uPVC Doors \(http://www.diy-pvcdoors.com/\)](#)
- > [uPVC Windows \(http://www.diy-pvc-windows.com/\)](#) > [uPVC Sliding Sash Windows \(http://www.diy-pvc-sliding-sash-windows.com/\)](#)

> [Contact Us](#)
([contact.html](#))

> [Online Quote](#)
([quotes.html](#))

Contact details

📍 **Platinum Products Direct Ltd, 3 Boyne Court,
Sedgefield, Stockton-on-Tees, TS21 2AW**

☎ **0800 002 9033**

☎ **0330 111 9033**

🕒 **Mon - Sun: 9:00 - 20:00**

Platinum Products Direct

(<https://www.facebook.com/Platinum-Products-Direct-658737600857344/>)

© Copyright 2019 Platinum Products Direct LTD. All rights reserved. Website Designed by Advimate
(<http://www.advimate.com>)

20/00962/FUL

13.04.2021

Scottish Borders Council
Town And Country
Planning (Scotland) Act
1997

REFUSED

subject to the
requirements of the
associated Decision
Notice

LINDEN

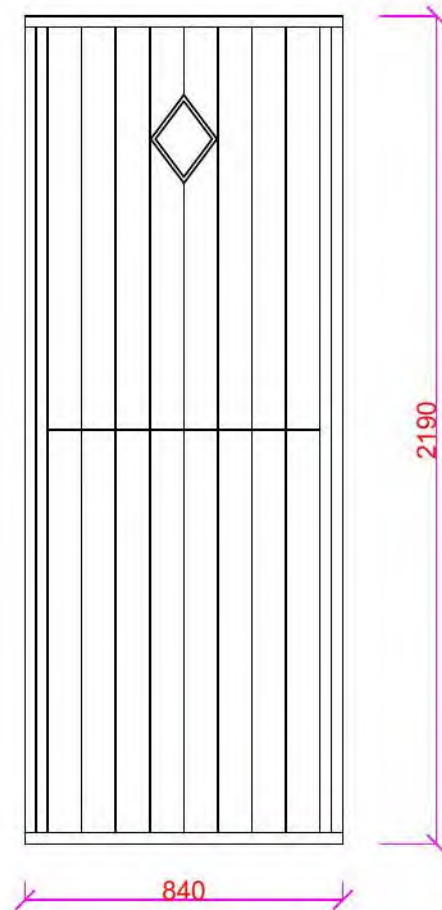


20/00962/FUL
13.04.2021

Scottish Borders Council
Town And Country
Planning (Scotland) Act
1997

REFUSED

subject to the
requirements of the
associated Decision
Notice



New Composite Door and
frame.

Door and frame to be
finished with timber grain
effect in a colour RAL
7016 Anthracite Grey

REVISIONS 24/08/2020

CLIENT: Mr J Szkudro

JOB: Linden Causewayend Ancrum TD8 6UZ

DRAWING: Proposed New Front Door

Drawn by	Checked	Approved	DATE	JOB No.	DR No.	REV
			24/08/20		LCA P1	A

This drawing and its data are the copyright Mr C Small
and must not be used for any purpose other than that for
which it is intended

SCALE : 1:20M @ A4
Do not scale from this drawing. Dimensions taken on
site must be confirmed with Clerk of Works

I certify this to be a true copy of one of
the drawings referred to in my
application to Scottish Borders Council

Signed:
Date: